

Large area vacuum suction system ATF



Foam gripper ATF

Foam gripper ATF



Introduction and application

- ◆ External vacuum source, alumina main body, sponge wear resistance
- ◆ Small size, convenient installation and good adsorption stability
- ◆ Width 65mm

Ordering data of foam gripper ATF

Type	Ordering data	Type	Ordering data
ATFSVK 200	90.12.01.00013	ATF-SW 200	90.12.01.00019
ATF-SVK 250	90.12.01.00014	ATF-SW 250	90.12.01.00020
ATF-SVK 300	90.12.01.00015	ATF-SW 300	90.12.01.00021
ATF-SVK 400	90.12.01.00016	ATF-SW 400	90.12.01.00022
ATF-SVK 500	90.12.01.00017	ATF-SW 500	90.12.01.00023
ATF-SVK 600	90.12.01.00018	ATF-SW 600	90.12.01.00024

Ordering parameters of sponge gasket parts

Type	Product code of foam gripper(thickness: 20mm)			
	Without filter	With filter (F)	Without filter and no trace(H)	With filter and no trace(FH)
M-PL 200	90.12.02.00001	90.12.02.00007	90.12.02.00013	90.12.02.00019
M-PL 250	90.12.02.00002	90.12.02.00008	90.12.02.00014	90.12.02.00020
M-PL 300	90.12.02.00003	90.12.02.00009	90.12.02.00015	90.12.02.00021
M-PL 400	90.12.02.00004	90.12.02.00010	90.12.02.00016	90.12.02.00022
M-PL 500	90.12.02.00005	90.12.02.00011	90.12.02.00017	90.12.02.00023
M-PL 600	90.12.02.00006	90.12.02.00012	90.12.02.00018	90.12.02.00024

Technical parameters of foam gripper ATF

Type	Quantity of suction holes	The required suction force		Weight [kg]
		[l/min]	[N]	
ATF-SVK 200	14	90	56	1.1
ATF-SVK 250	22	90	88	1.4
ATF-SVK 300	30	90	120	1.7
ATF-SVK 400	38	180	152	2.1
ATF-SVK 500	46	180	184	2.4
ATF-SVK 600	54	180	216	2.7
ATF-SW 200	14	90	56	1.1
ATF-SW 250	22	90	88	1.4
ATF-SW 300	30	90	120	1.7
ATF-SW 400	38	180	152	2.1
ATF-SW 500	46	180	184	2.4
ATF-SW 600	54	180	216	2.7

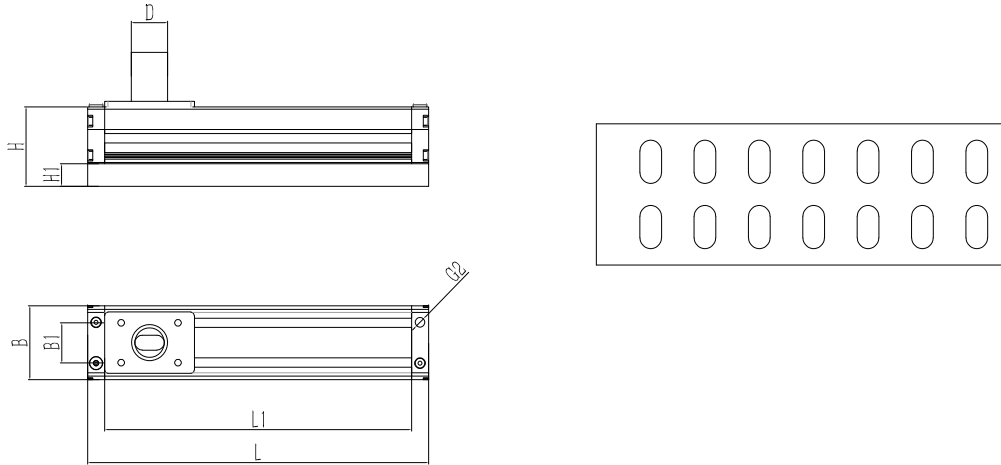
Large area vacuum suction system ATF



Foam gripper ATF



Design parameters of foam gripper ATF



Type	Size							
	L	L1	B	B1	H	H1	G1	G2
ATF-SVK 200	200	160	65	35	70	20	G1/4	G1/8
ATF-SVK 250	250	210	65	35	70	20	G1/4	G1/8
ATF-SVK 300	300	260	65	35	70	20	G1/4	G1/8
ATF-SVK 400	400	360	65	35	70	20	G1/4	G1/8
ATF-SVK 500	500	460	65	35	70	20	G1/4	G1/8
ATF-SVK 600	600	560	65	35	70	20	G1/4	G1/8
ATF-SW 200	200	160	65	35	70	20	G1/4	G1/8
ATF-SW 250	250	210	65	35	70	20	G1/4	G1/8
ATF-SW 300	300	260	65	35	70	20	G1/4	G1/8
ATF-SW 400	400	360	65	35	70	20	G1/4	G1/8
ATF-SW 500	500	460	65	35	70	20	G1/4	G1/8
ATF-SW 600	600	560	65	35	70	20	G1/4	G1/8