

# Vacuum Hose

## VSL

Connecting hose in vacuum system

Vacuum Hose VSL



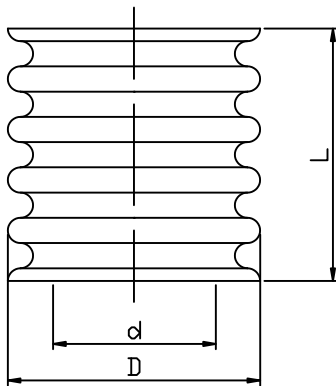
### Introduction and application

- ◆ The vacuum hose is made of PU and embedded with metal wires.
- ◆ The inner diameter of vacuum hose is 32 mm and 60 mm. When vacuum gas is used, the shrinkage rate is low. Large flexible hose is reinforced with metal strips.
- ◆ Wide application range, the best exhaust time and flow resistance can be selected; Reduce sudden contraction, suitable for surrounding mechanical equipment; The hose is durable and reduces the cost of replacing the hose; Suitable for all applications.



### Design data Vacuum Hose VSL

VSL



Type	Structural parameters [mm]		Material	Operating pressure [bar]	Working temperature [°C]	Minimum bending radius [mm]	L(max) [m]	Ordering data
	D	d						
VSL-42-32-PU-DS	42	32	PU and embedded with metal wires	-0.95...3.2	-20...90	95	20	90.05.17.00001
VSL-71-60-PU-DS	71	60		-0.89...3.6	-20...90	105	20	90.05.17.00002

# Vacuum Hose

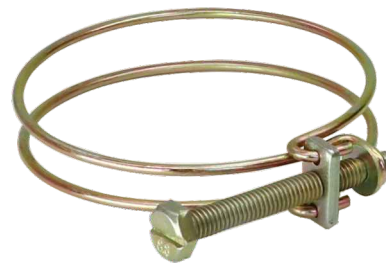
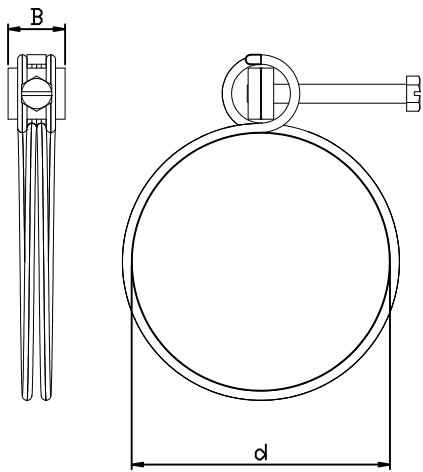
VSL

Connecting hose in vacuum system



SSD design parameters and technical parameters

SSD-Embedded metal wire(thread type)



Type	Size [mm]		Clamping range [mm]	Material	Ordering data
	B	d			
SSD-28-32	17	33	28-32	Galvanized steel	90.05.17.00003
SSD-60-68	17	68	60-68	Galvanized steel	90.05.17.00004